



Donaldson.
FILTRATION SOLUTIONS

Process Filtration From Pure to Sterile

PF-EG 0900-2400

Large Multiple Housings

HERAUSRAGENDE MERKMALE:

- Design mechanical polished or electropolished Ra < 0,8 µm
- Code 7 plug filter connection
- Several housing connections available
- Complete stainless steel 316L construction



INDUSTRIEN:



- Food and Beverage



- Dairy



- Chemical



- Pharmaceutical

ООО «Винокс»

220051, г. Минск, ул. Громова, 28-320

+375 (29) 630-62-66

vinox.ooo@gmail.com

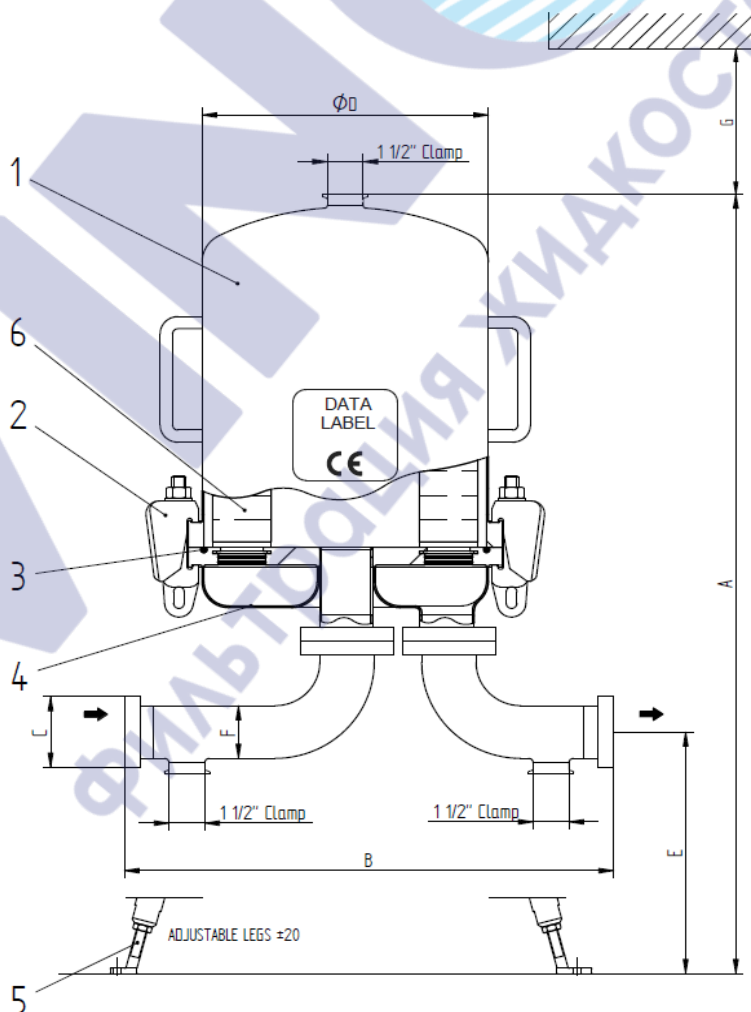
www.vinox.by

Donaldson®
Ultrafilter

TECHNICAL DATA

Pos.	Benennung
6	filter element
5	leg
4	lower housing part
3	O-ring
2	clamp bolt
1	upper housing bowl

Max. operating pressure for liquids:	at 0°C / +40°C 0900: 9 bar 1350 - 2400: 8 bar	+40°C / +150°C 0900: 7 bar 1350 - 2400: 6.2 bar
Max. operating pressure for saturated steam:	0900: 2.2 bar 1350: 1.7 bar	1800: 6.2 bar 2400: 4.2 bar
Test pressure:	0900: 13 bar 1350 - 2400: 11.5 bar	
Material housing:	1.4404	
Surfaces:	etched, passivated and polished or electropolished Ra < 0.8µm	
Classification acc. to 97/23/EG for fluids group 2	0900 - 1350: Kat. I	1800 - 2400: Kat. II



DIMENSIONS HOUSING AND WELDING CONNECTIONS

housing type	volume l	weight bell kg	A mm	B ±4 mm	C	ØD mm	E±10 mm	ØF mm	G mm	element
0900	89	19	1430	603	3.0"	350	298	76.2	790	12x 30/3 P7
0900	89	19	1430	563	4.0"	350	295	101.6	790	12x 30/3 P7
1350	115	22	1450	620	3.0"	400	297	76.2	790	18x 30/3 P7
1350	115	22	1450	605	4.0"	400	277	114.3	790	18x 30/3 P7
1800	151	25	1475	634	3.0"	450	272	76.2	790	24x 30/3 P7
1800	151	25	1475	639	4.0"	450	280	114.3	790	24x 30/3 P7
2400	235	48	1500	740	3.0"	550	272	76.2	790	30x 30/3 P7
2400	235	48	1500	725	4.0"	550	278	114.3	790	30x 30/3 P7

DIMENSIONS HOUSING AND FLANGE CONNECTIONS ACC. TO DIN 2633 /EN1092-1

housing type	volume l	weight bell kg	A mm	B ±4 mm	C	ØD mm	E±10 mm	ØF mm	G mm	element
0900	89	19	1430	807	DN100	350	295	101.6	790	12x 30/3 P7
1350	115	22	1450	709	DN100	400	277	114.3	790	18x 30/3 P7
1800	151	25	1475	743	DN100	450	280	114.3	790	24x 30/3 P7
2400	235	48	1500	829	DN100	550	278	114.3	790	30x 30/3 P7

DIMENSIONS HOUSING AND CLAMP CONNECTIONS

housing type	volume l	weight bell kg	A mm	B ±4 mm	C	ØD mm	E±10 mm	ØF mm	G mm	element
0900	89	19	1430	629	3.0"	350	298	76.2	790	12x 30/3 P7
0900	89	19	1430	594	4.0"	350	295	101.6	790	12x 30/3 P7
1350	115	22	1450	646	3.0"	400	297	76.2	790	18x 30/3 P7
1350	115	22	1450	612	4.0"	400	292	101.6	790	18x 30/3 P7
1800	151	25	1475	660	3.0"	450	272	76.2	790	24x 30/3 P7
1800	151	25	1475	640	4.0"	450	292	101.6	790	24x 30/3 P7
2400	235	48	1500	766	3.0"	550	272	76.2	790	30x 30/3 P7
2400	235	48	1500	742	4.0"	550	292	101.6	790	30x 30/3 P7

PRODUCT DESCRIPTION

PF-EG multiple stainless-steel housings are developed for liquid filtration with a broad variety of applications. Combined with one of the various Donaldson filter elements with code 7 connections they provide superior performance.

The standard product range PF-EG multiple consists of 4 different housing sizes for volume flow from 900 until 2400 l/min.

Several other connection types are available. Welding, Clamp and Flange Connection (DIN 2633/EN1092-1). The housings are available with Clamp connections at the vent and drain. Optional it has built-in pharma valves.

DIRECTIVES

All PF-EG multiple housings are designed in accordance with

- FDA CFR Code of Federal Regulations Title 21
- Framework regulation 1935/2004/EC
- Pressure Equipment Directive 97/23/EC

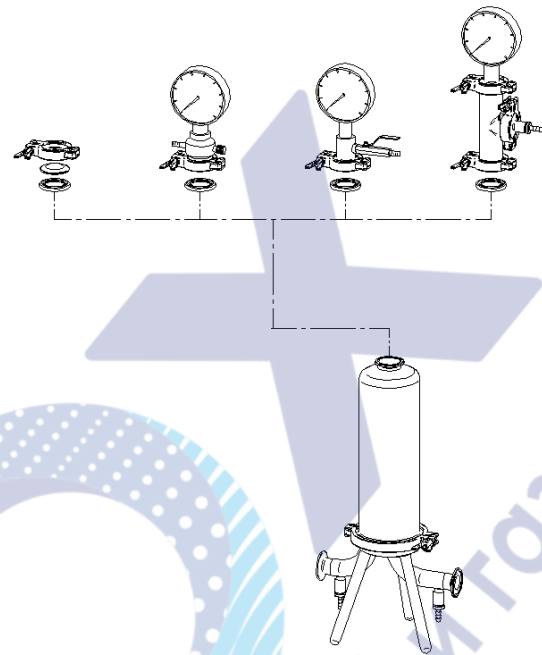
FDA



ACCESSORIES

A range of suitable accessories (e.g. pressure gauges) and spare parts is available for PF-EG large multiple housings.

Please contact your Donaldson Service engineer for a detailed list.



FLOW RATES

Housing		0900	1350	1800	2400
Flow rate	l/min*	900	1350	1800	2400

* Flow rates related to filter types SM N and GSL N (5 µm) and water at 20°C

Technical alterations reserved 08/2009

- For information on integrity test equipment or integrity test services, please contact your Donaldson Sales Engineer and visit our website at www.donaldson.com!

(F119028 - Rev. 00 – 05/2013)



Donaldson.
FILTRATION SOLUTIONS