

MAIN FEATURES & BENEFITS

- Steamfilter housing
- Design in compliance with
 - FDA CFR Code of Federal Regulations Title 21
 - Framework regulation 1935/2004/EC
 - Pressure equipment directive 2014/68/EU
- High quality stainless steel design
- Extremely low differential pressure
- Various connection types

PRODUCT DESCRIPTION

P-EGS housings were developed for the purification of steam in different ranges of applications. Due to the optimized construction they offer a very low differential pressure at high flow rates.

Combined with the different Donaldson filter elements P-GSL N they provide an optimized solution for nearly all applications.

The P-EGS series is available in 4 different housing sizes with steam mass flows up to 600 kg/h (at 2 bar abs.). The Donaldson plug connection guarantees that the element remains safely fixed always.

The housings are available with BSP threads, flange or with welded end connection according to DIN 11850.

INDUSTRIES



- Dairies



- Food



- Breweries



- Pharmaceutical



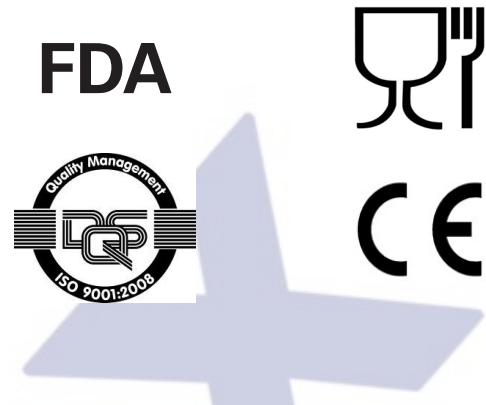
- Chemical

DIRECTIVES

All P-EGS steam housings are designed in accordance with

- FDA CFR Code of Federal Regulations Title 21
- Framework regulation 1935/2004/EC
- Pressure equipment directive 2014/68/EU

All P-EGS steam housings are manufactured according to ISO 9001/2008 hergestellt.

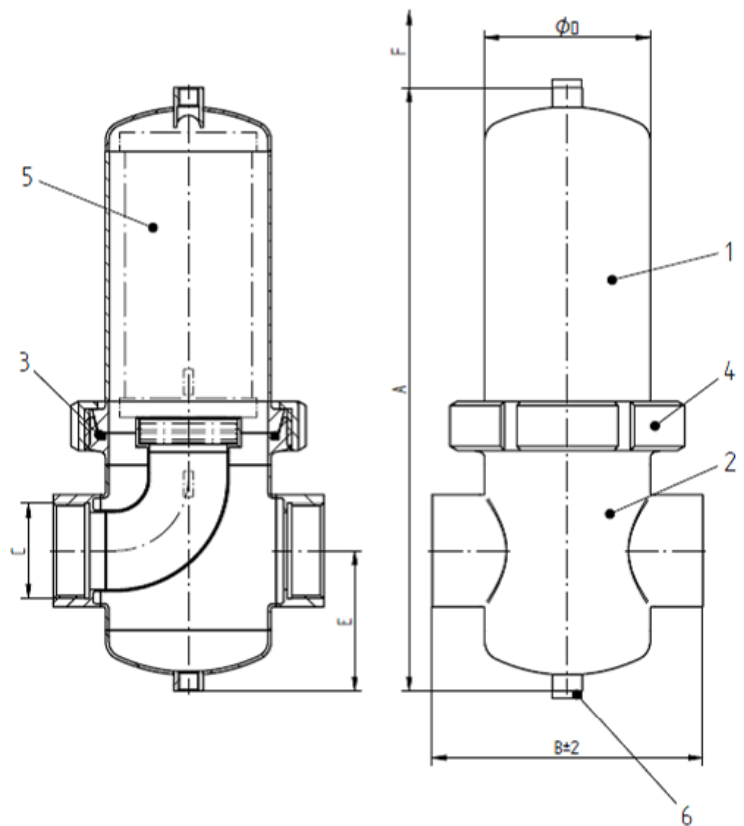


DIMENSIONS

Position	Anzahl	Beschreibung
1	1	Upper housing bowl
2	1	Lower housing bowl
3	2	Housing gasket
4	1	Nut
5	1	Filter element
6	2	Plug 1/4"

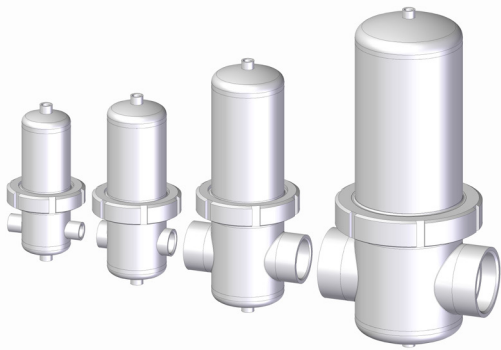
Max. operating pressure	16 bar *
Max. operating temperature with standard gasket EPDM	-25 / +150°C **
Test pressure	27 bar
Material	1.4404
Surfaces	Inside: etched, passivated, Ra <1.6µm Outside: etched, passivated and polished, Ra <1.6µm
Classification acc. to 2014/68/EU	For steam (fluid group 2)

* pressure limitation for type P-EGS 0030: 12 bar
 ** -25/+200°C special O-rings required



Housing	Weight **			Vo-lume	A	B			C (connection)		Ø D	E	F	Element size
	BSP	DIN 11850	Flange			BSP	DIN 11850	Flange	BSP	DIN 11850, Flange				
	[kg]	[kg]	[kg]			[mm]	[mm]	[mm]	[mm]	[mm]				
0005	1.9	1.9	3.6	0.6	235	108	108	184	G 1/2	DN15 Ø 19 x 1.5	70	49	120	04/20
0010	2.6	2.6	5.6	1.0	285	125	125	205	G 1	DN25 Ø 29 x 1.5	85	68	150	05/20
0020	4.8	4.8	10.2	2.7	379	170	170	266	G 2	DN50 Ø 53 x 1.5	104	88	200	07/30
0030	11.2	11.2	20.2	8.8	509	240	240	356	G 3	DN80 Ø 85 x 2	154	110	280	10/50

** without filter elements



MAIN FEATURES & BENEFITS

- Steamfilter housing
- Design in compliance with
 - FDA CFR Code of Federal Regulations Title 21
 - Framework regulation 1935/2004/EC
 - Pressure equipment directive 2014/68/EU
- High quality stainless steel design
- Extremely low differential pressure
- Various connection types

PRODUCT DESCRIPTION

P-EGS housings were developed for the purification of steam in different ranges of applications. Due to the optimized construction they offer a very low differential pressure at high flow rates.

Combined with the different Donaldson filter elements P-GSL N they provide an optimized solution for nearly all applications.

The P-EGS series is available in 4 different housing sizes with steam mass flows up to 600 kg/h (at 2 bar abs.). The Donaldson plug connection guarantees that the element remains safely fixed always.

The housings are available with BSP threads, flange or with welded end connection according to DIN 11850.

INDUSTRIES



- Dairies



- Food



- Breweries



- Pharmaceutical



- Chemical

DIRECTIVES

All P-EGS steam housings are designed in accordance with

- FDA CFR Code of Federal Regulations Title 21
- Framework regulation 1935/2004/EC
- Pressure equipment directive 2014/68/EU

All P-EGS steam housings are manufactured according to ISO 9001/2008 hergestellt.

FDA

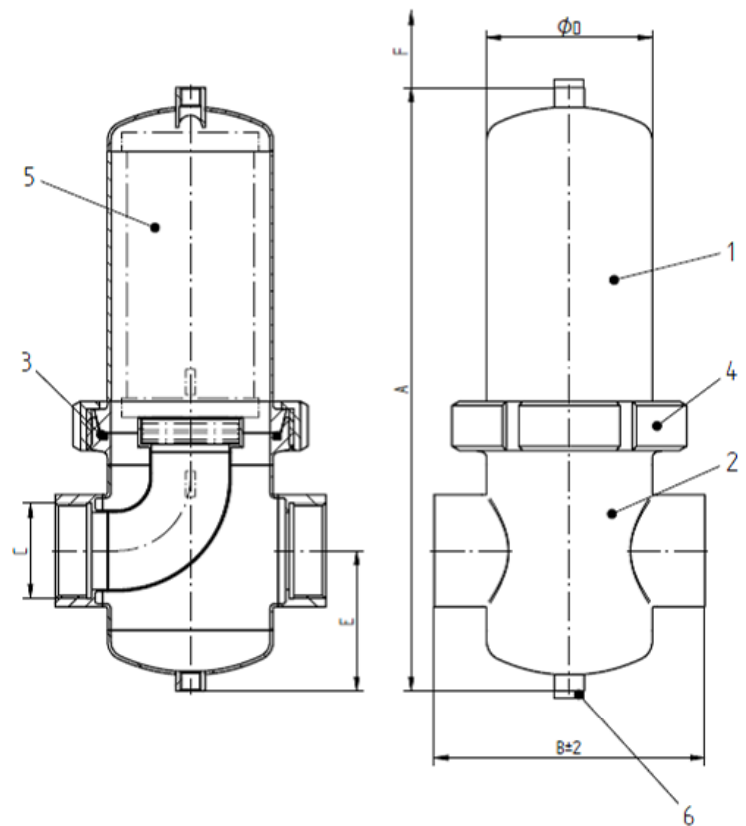


DIMENSIONS

Position	Anzahl	Beschreibung
1	1	Upper housing bowl
2	1	Lower housing bowl
3	2	Housing gasket
4	1	Nut
5	1	Filter element
6	2	Plug 1/4"

Max. operating pressure	16 bar *
Max. operating temperature with standard gasket EPDM	-25 / +150°C **
Test pressure	27 bar
Material	1.4404
Surfaces	Inside: etched, passivated, Ra <1.6µm Outside: etched, passivated and polished, Ra <1.6µm
Classification acc. to 2014/68/EU	For steam (fluid group 2)

* pressure limitation for type P-EGS 0030: 12 bar
 ** -25/+200°C special O-rings required



Housing	Weight **			Vo-lume	A	B			C (connection)		Ø D	E	F	Element size
	BSP	DIN 11850	Flange			BSP	DIN 11850	Flange	BSP	DIN 11850, Flange				
	[kg]	[kg]	[kg]			[mm]	[mm]	[mm]	[mm]	[mm]				
0005	1.9	1.9	3.6	0.6	235	108	108	184	G 1/2	DN15 Ø 19 x 1.5	70	49	120	04/20
0010	2.6	2.6	5.6	1.0	285	125	125	205	G 1	DN25 Ø 29 x 1.5	85	68	150	05/20
0020	4.8	4.8	10.2	2.7	379	170	170	266	G 2	DN50 Ø 53 x 1.5	104	88	200	07/30
0030	11.2	11.2	20.2	8.8	509	240	240	356	G 3	DN80 Ø 85 x 2	154	110	280	10/50

** without filter elements

SIZING RECOMMENDATION

Optimal steam flow in combination with P-GSL N 1µm elements

Housing	Flow [kg/h]						
	@ 2 bar abs.	@ 3 bar abs.	@ 4 bar abs.	@ 5 bar abs.	@ 6 bar abs.	@ 7 bar abs.	@ 8 bar abs.
P-EGS 0005	27	39	51	62	73	84	97
P-EGS 0010	84	120	160	194	215	235	255
P-EGS 0020	240	310	370	420	470	510	550
P-EGS 0030	575	750	890	1010	1130	1250	1350

Parameters: Pipe velocity <30 m/s or initial differential pressure <0.05 bar (@ 2 bar abs.)

Maximum steam flow in combination with P-GSL N 1µm elements

Housing	Flow [kg/h]						
	@ 2 bar abs.	@ 3 bar abs.	@ 4 bar abs.	@ 5 bar abs.	@ 6 bar abs.	@ 7 bar abs.	@ 8 bar abs.
P-EGS 0005	35	52	67	83	98	113	128
P-EGS 0010	112	162	210	259	305	355	375
P-EGS 0020	295	420	550	627	695	755	815
P-EGS 0030	880	1140	1350	1540	1715	1875	2025

Parameters: Pipe velocity <40 m/s or initial differential pressure <0.1 bar (@ 2 bar abs.)

- For more information please contact your Donaldson Sales Engineer or visit our website at www.donaldson.com!

ООО «Винокс»

220051, г. Минск, ул Громова, 28-320

+375 (29) 630-62-66

vinox.ooo@gmail.com

www.vinox.by